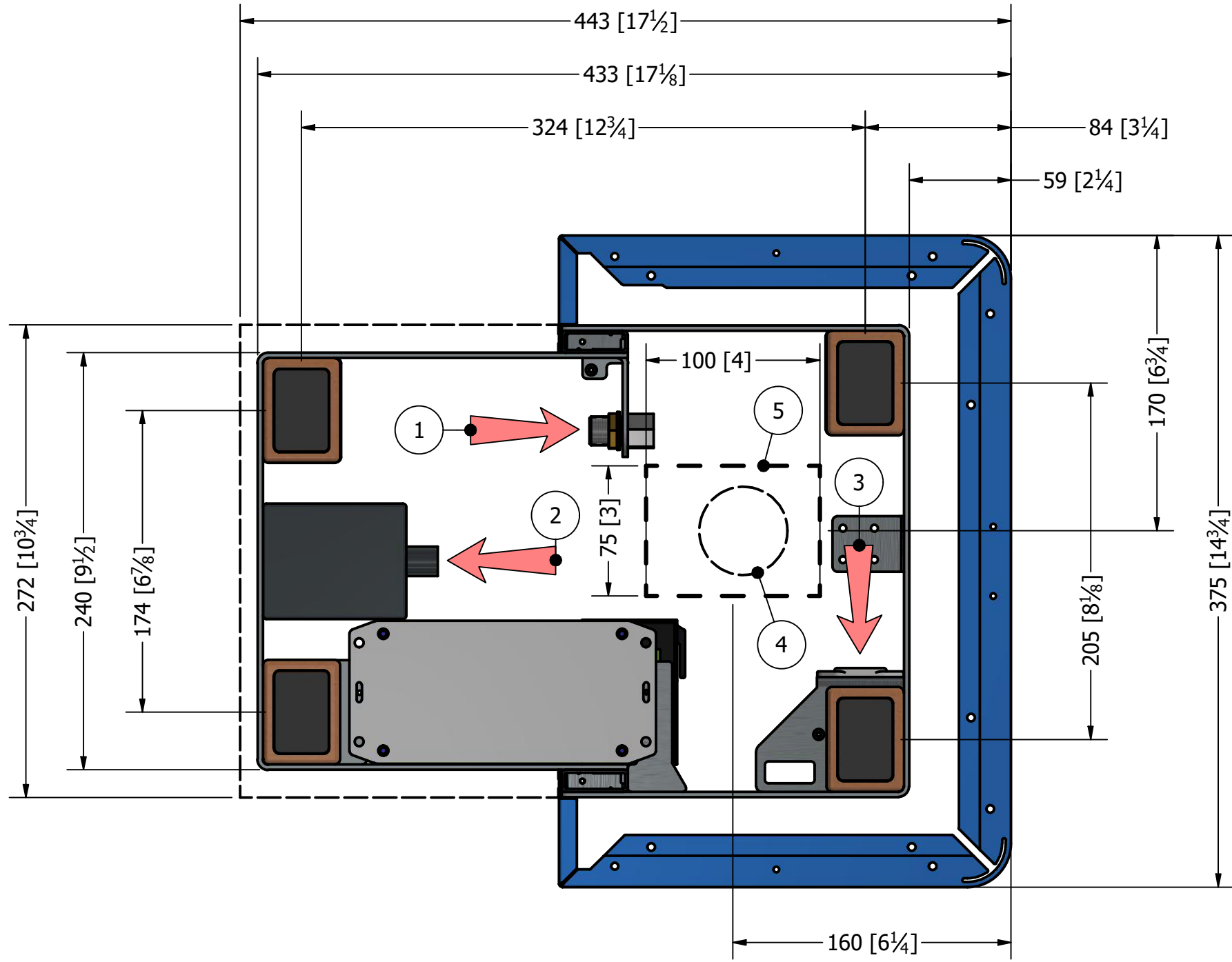


REVISION HISTORY				
VER	REV	DESCRIPTION	DATE	APPROVED
1			2023 09 19	tsm



Notes	
	Dimensions are mm and [inches]
	View is looking down from the top
1	Water inlet (standard 3/8 BSPP male)
2	Drain outlet (17mm [~5/8"])
3	Electrical inlet (with supplied cable)
4	Minimum suggested countertop cutout 50mm / 2" diameter
5	Suggested location of cutout

Installation Plan
Scale 1 / 3

